

88 5531 181 Bedford Pedestal Desk

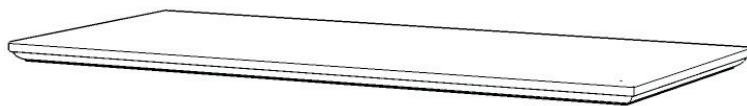
IMPORTANT NOTE

Carefully remove all the parts from the carton and put them individually on a soft cloth to prevent scratches or other damages occurring to the wood parts.

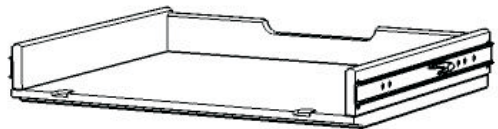
We have taken great care in the design of this product and request that you carefully and strictly follow our assembly instructions to ensure a completed product as it was designed.



Part List



A.
Top
1 pc.



L.
Keyboard
1 pc.



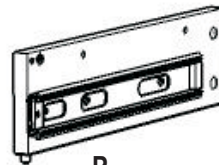
M.
Keyboard Rail
1 pc.



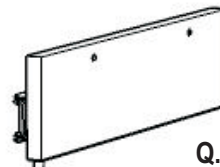
K.
Keyboard
1 pc.



N.
Keyboard Rail
1 pc.



P.
Keyboard Support
1 pc.



Q.
Keyboard Support
1 pc.



O.
Keyboard Support
1 pc.

Hardware List



Hex Wrench
1 pc.



Cam Lock Screw
48 pcs.(+2 extra)



Wood Screw (long)
for side drawer
36 pcs. (+1 extra)



Wood Screw (long)
8 pcs. (+1 extra)



Magnet
1 pc.



Adjustable Pin
4 pcs.(+1 extra)



Pull Handle
7 pcs.



Small
Hex Wrench
1 pc.



Cam Lock
48 pcs.(+6 extra)



Wood Screw (short)
for drawer base
16 pcs.(+1 extra)



Wood Screw (short)
6 pcs. (+1 extra)



Wood Screw
for Magnet
2 pcs.(+1 extra)



Head Cap Bolt
8 pcs. (+1 extra)



Machine Screw
7 pcs.

For assembly see instructions in carton 88 5531 182

Tools required for assembly : Phillips screwdriver

Home Styles Consumer Assistance Line 888-680-7460 and 877-831-0319
servicedesk@homestyles-furniture.com

88 5531 182 Bedford Pedestal Desk

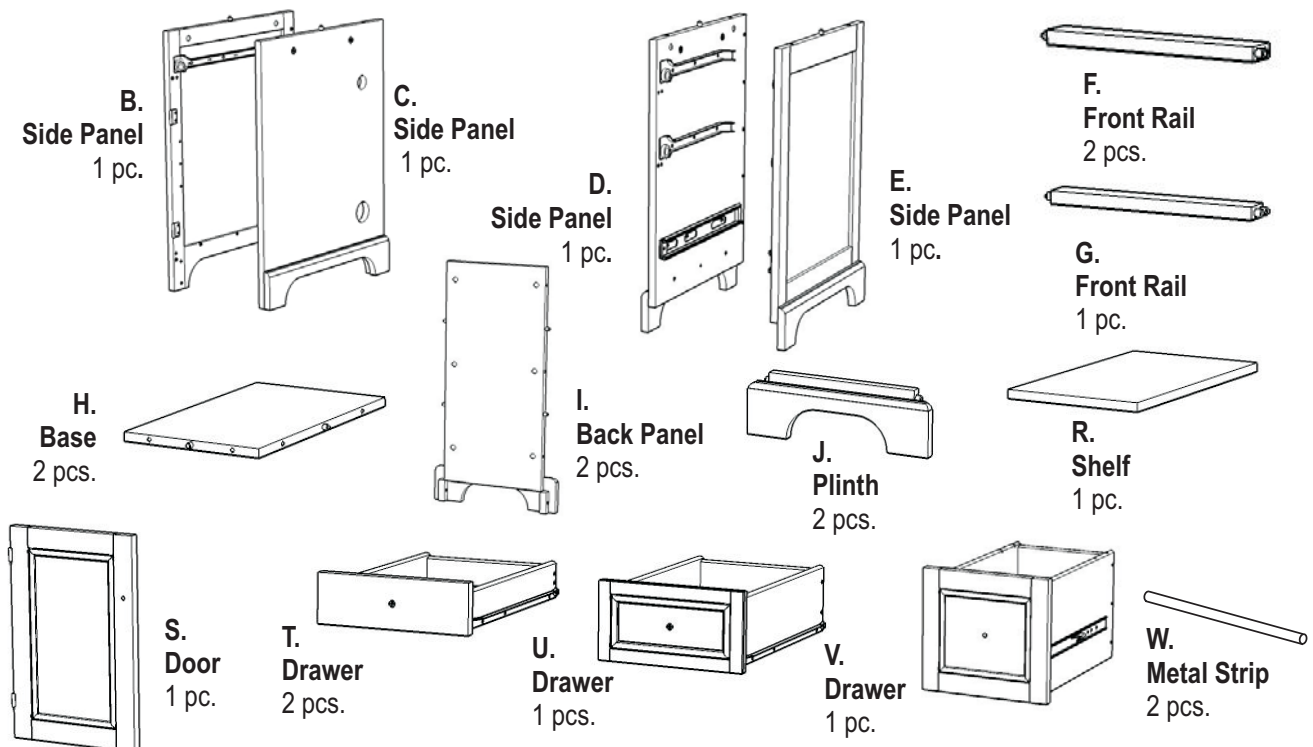
IMPORTANT NOTE

Carefully remove all the parts from the carton and put them individually on a soft cloth to prevent scratches or other damages occurring to the wood parts.

We have taken great care in the design of this product and request that you carefully and strictly follow our assembly instructions to ensure a completed product as it was designed.



Part List



(Knock-Down Construction, please refer to the last page of these instructions for drawer assembly steps)

Also need the following from carton 88 5531 181 :

Part List in carton 88 5531 181

Top (A)	1 pc.
Keyboard (K)	1 pc.
Keyboard (L)	1 pc.
Keyboard Rail (M)	1 pc.
Keyboard Rail (N)	1 pc.
Keyboard Support (O)	1 pc.
Keyboard Support (P)	1 pc.
Keyboard Support (Q)	1 pc.

Hardware List in carton 88 5531 181

Small Hex Wrench	1 pc.
Hex Wrench	1 pc.
Cam Lock Screw	50 pcs.
Cam Lock	54 pcs.
Head Cap Bolt	9 pcs.
Wood Screw (short)	17 pcs.
Wood Screw (long)	37 pcs.
Wood Screw for hinge (short)	7 pcs.
Wood Screw for Plinth (long)	9 pcs.
Wood Screw for Magnet	3 pcs.
Magnet	1 pc.

Pull Handle	7 pcs.
Machine Screw for Pull Handle	7 pcs.
Adjustable Pin	5 pcs.

Tools required for assembly: **Phillips** screwdriver

Home Styles Consumer Assistance Line 888-680-7460 and 877-831-0319
servicedesk@homestyles-furniture.com

Assembly Instructions 2/8

IMPORTANT

You should keep Hex Wrench in a safe place as you may need to tighten up the Head Cap Bolts in the future.

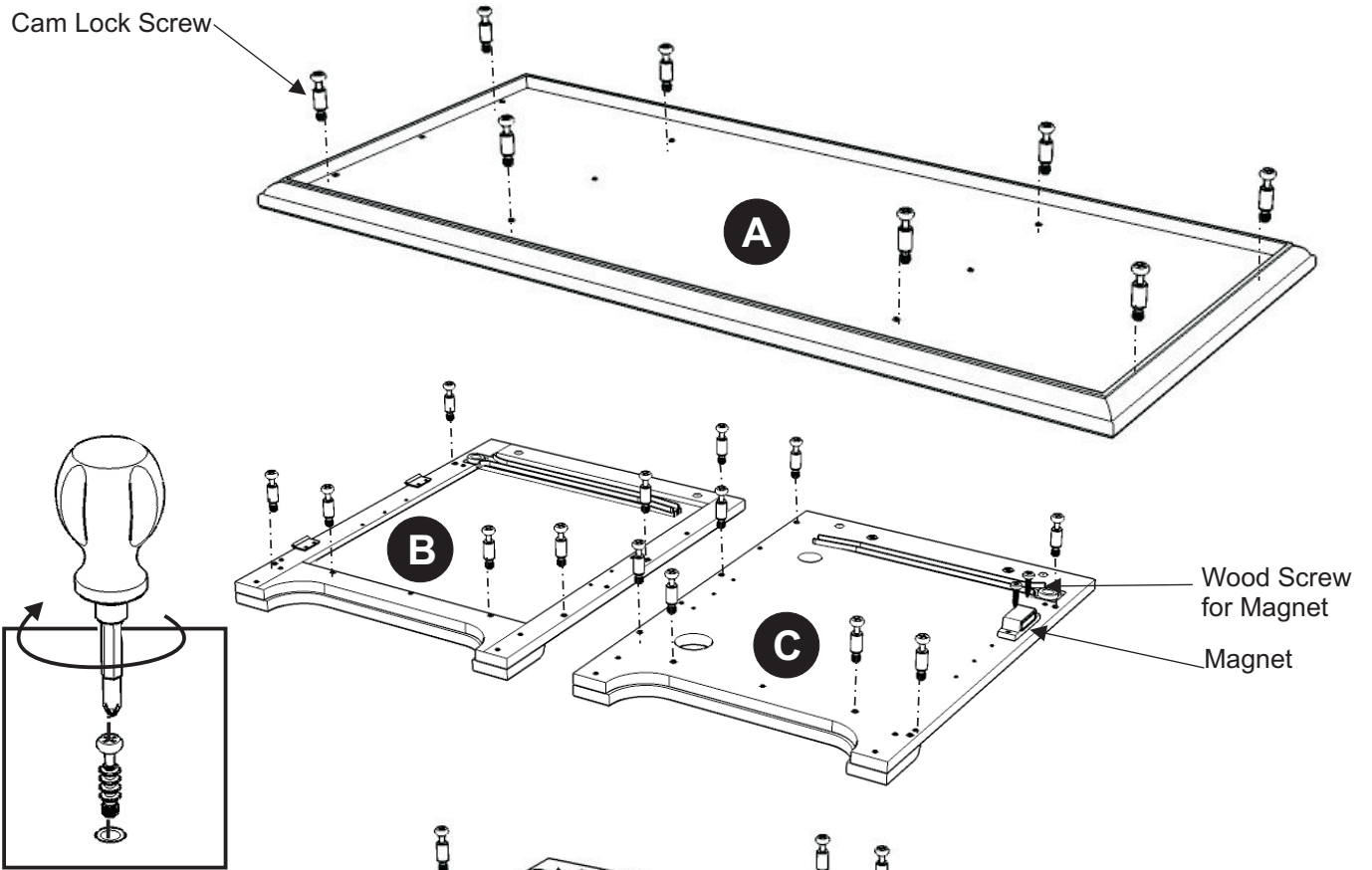
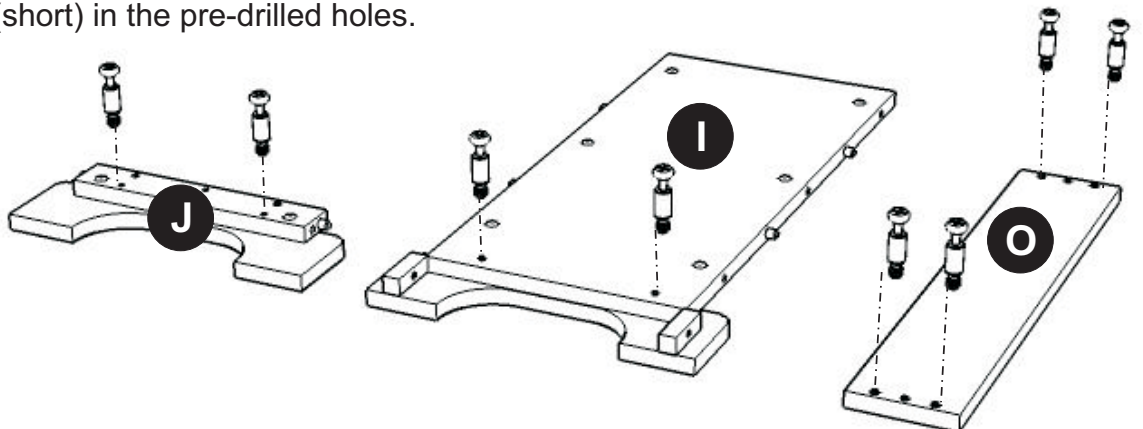


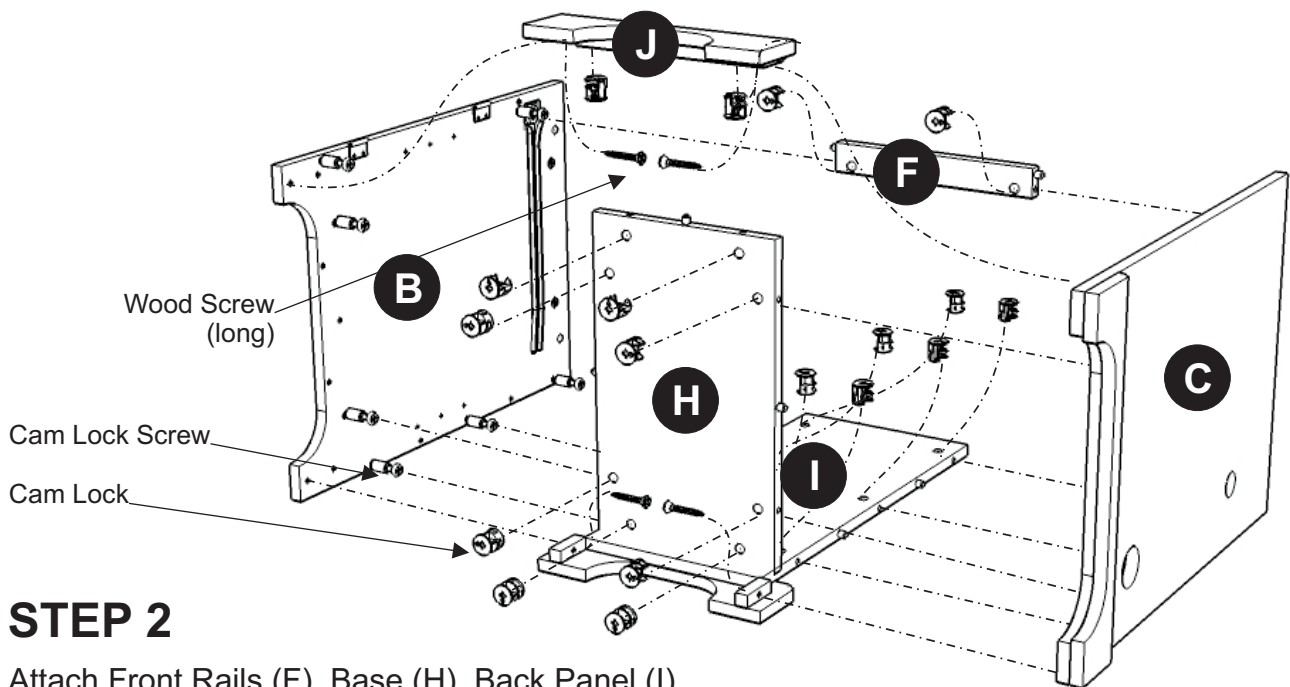
Figure 1

STEP 1

Insert Cam Lock Screws into the pre-drilled holes of Top (A), Side Panels (B) and (C), (D) and (E), Keyboard Box (O), Back Panels (I) and Plinths (J). (See figure 1)

Attach Magnet to Side Panel (C) by using Wood Screws (short) in the pre-drilled holes.





STEP 2

Attach Front Rails (F), Base (H), Back Panel (I) and Plinth (J) to Side Panel (B) with Cam Locks. (See figure 2)

Attach Side Panel (C) to unit with Cam Locks.

Insert 4X Wood Screw (long) into the pre-drilled holes of unit and tighten.

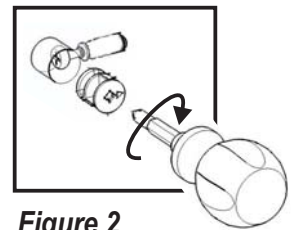
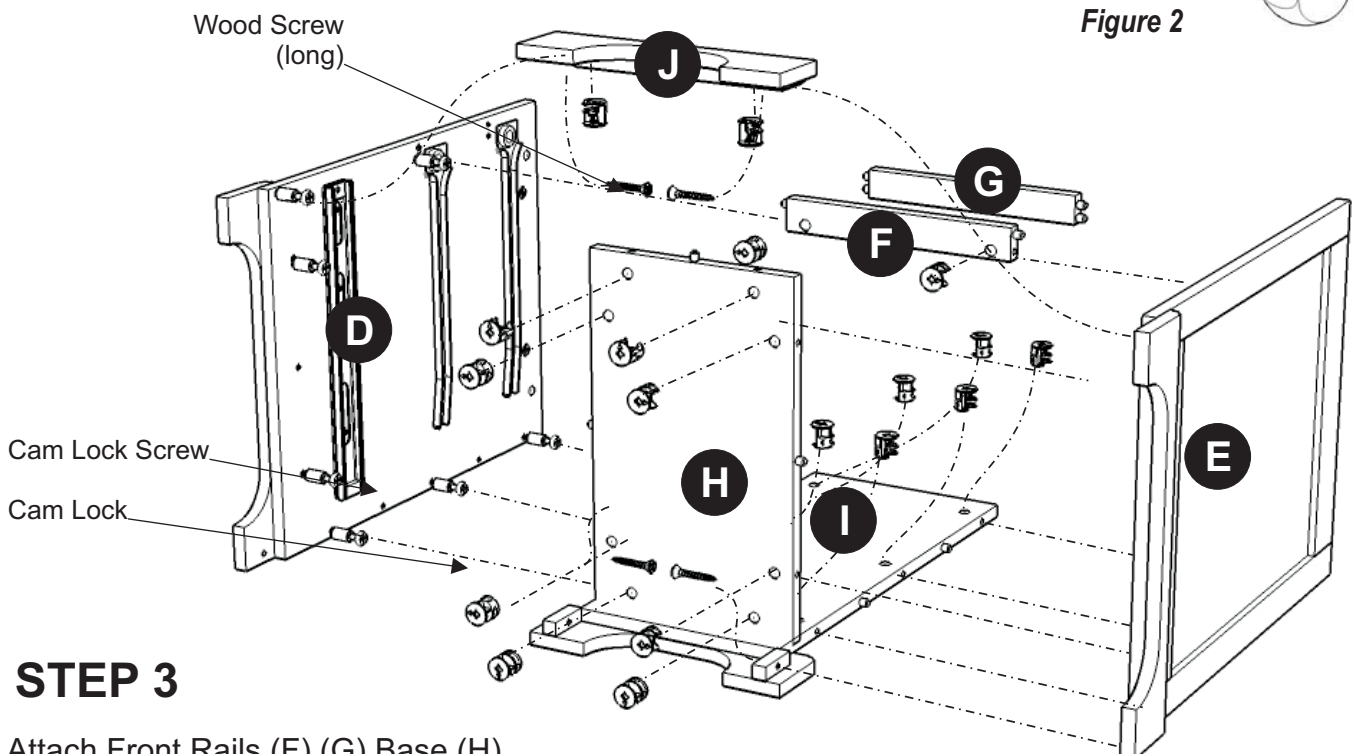


Figure 2

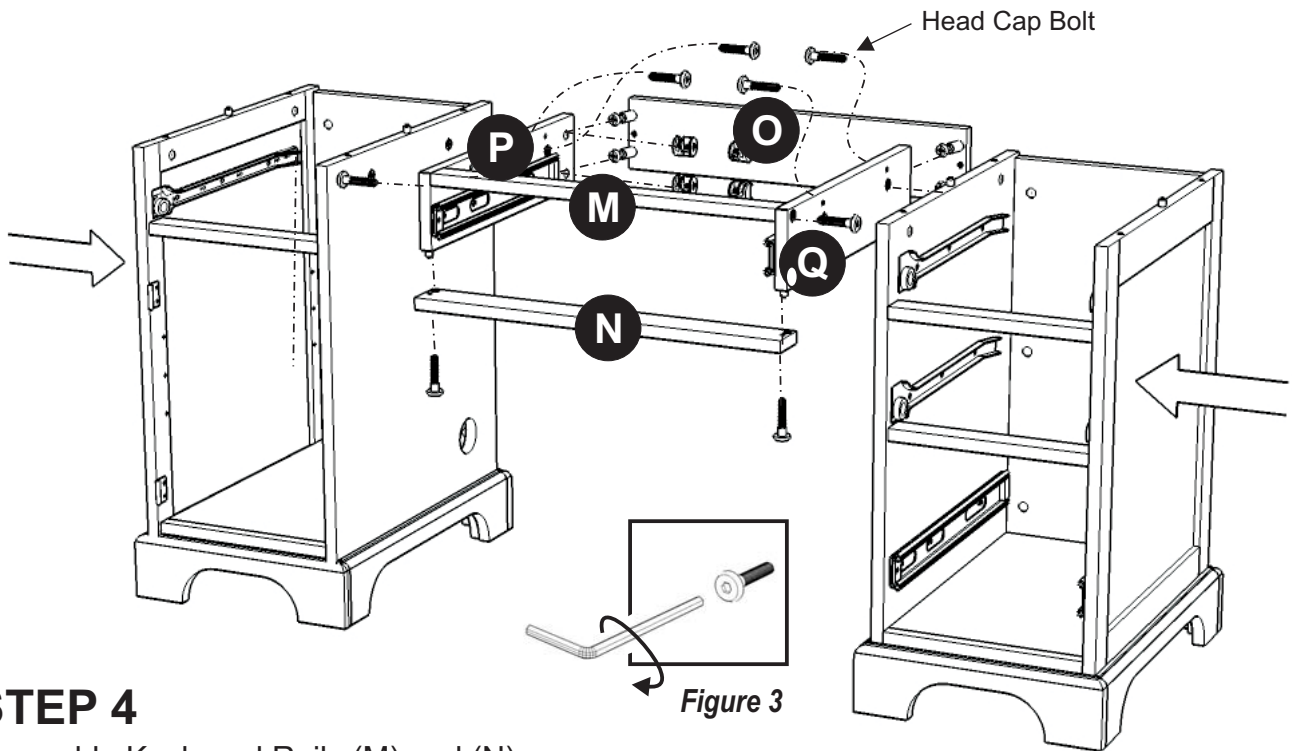


STEP 3

Attach Front Rails (F),(G) Base (H), Back Panel (I) and Plinth (J) to Side Panel (D) with Cam Locks. (See figure 2)

Attach Side Panel (E) to unit with Cam Locks.

Insert 4X Wood Screw (long) into the pre-drilled holes of unit and tighten.



STEP 4

Assemble Keyboard Rails (M) and (N), Keyboard box (P) and (Q) with Head Cap Bolts. (See figure 3)

Attach Keyboard Support (O) to unit with Cam Locks.

Attach keyboard Support in between both units from Steps 2 and 3 with Head Cap Bolts.

STEP 5

Place Top (A) onto unit with Cam Locks.

Attach Keyboard (K) to Keyboard (L) with Wood Screws (short). (See figure 4)

Slide keyboard into position.

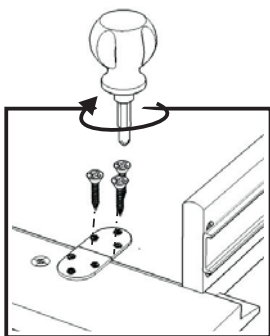
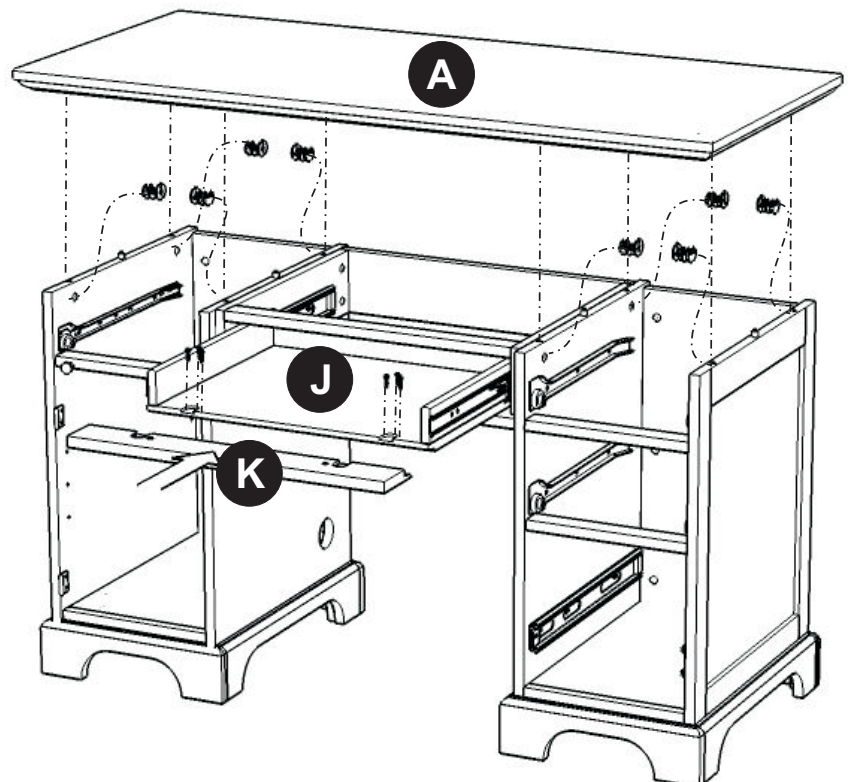
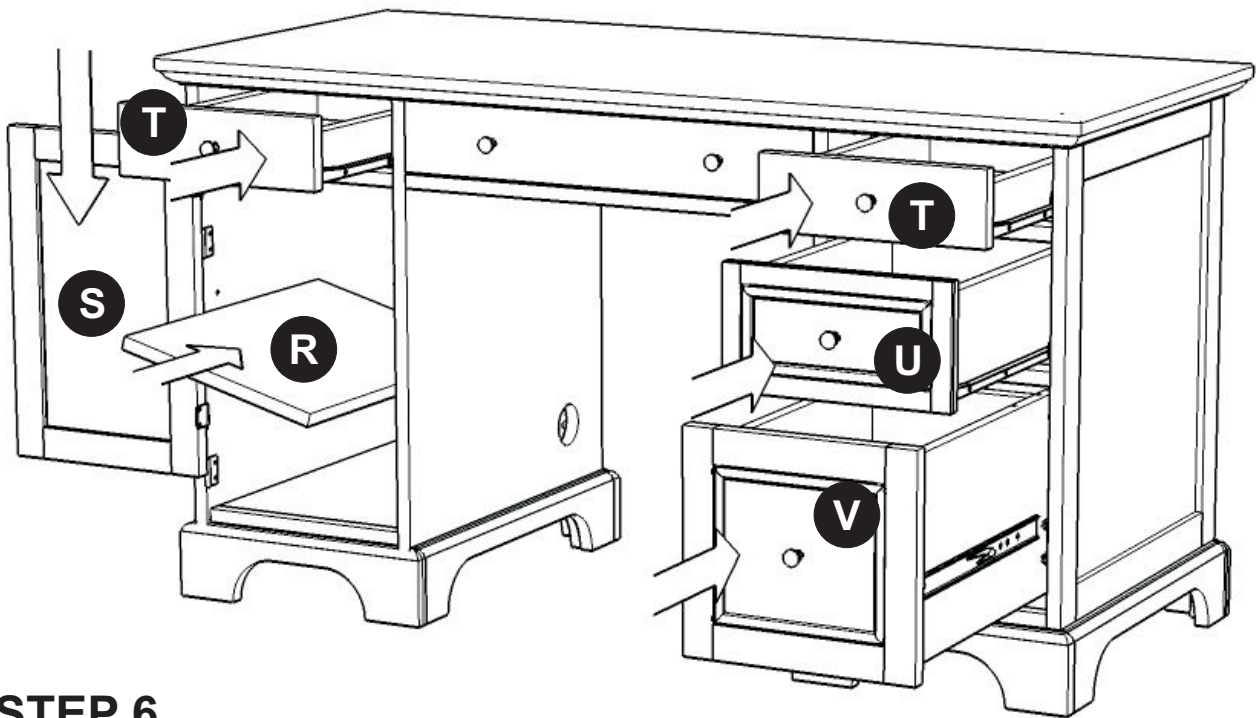


Figure 4





STEP 6

Insert Adjustable Pins into side panels at the desired level. (See figure 5)

Place Shelf (R) into position.

Attach Door (S) by sliding the door lift hinges into the side panels lift hinges. (See figure 6)

Assemble Pull Handle to Door with Machine Screw. (See figure 7)

Slide Drawers (T), (U), and (V) into position.

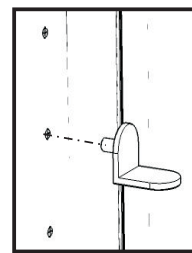


Figure 5

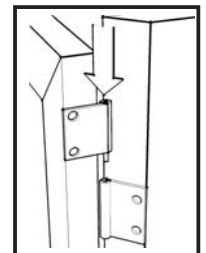


Figure 6

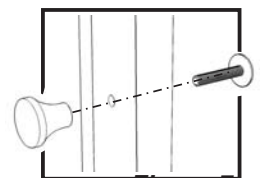
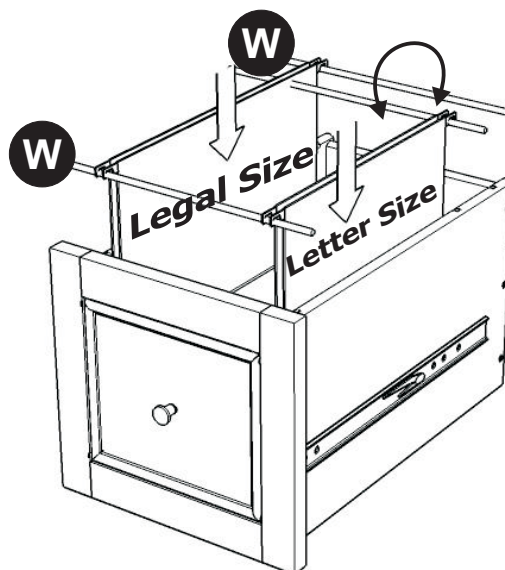


Figure 7

STEP 7

Place Metal Strips (W) into position.

You can adjust the Metal Strip for letter size or legal size files as shown.



Drawer (T)

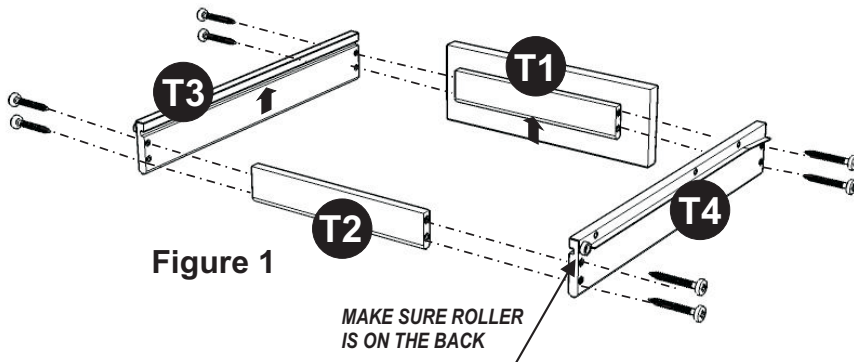
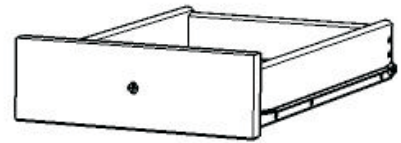


Figure 1

MAKE SURE ROLLER IS ON THE BACK

STEP 1

Attach T1 to T3 and T4, using a Phillips screwdriver and long wood screws (4X), tighten halfway.

Attach T2 to T3 and T4 using long wood screws (4X), tighten halfway. (see Figure 1)

STEP 2

Slide T5 into the grooves in T3 and T4. Be sure to push T5 all the way forward so it meets T1. (see Figure 2)

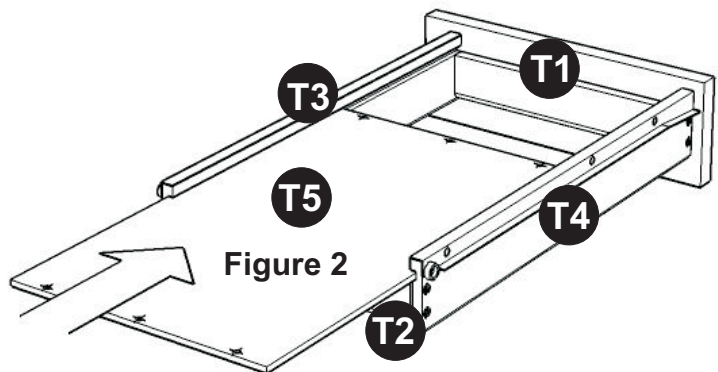


Figure 2

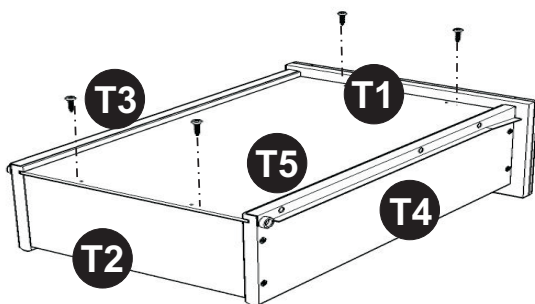


Figure 3

STEP 3

Insert short wood screws (4X) into the pre-drilled holes in T5, tighten screws. (see Figure 3)

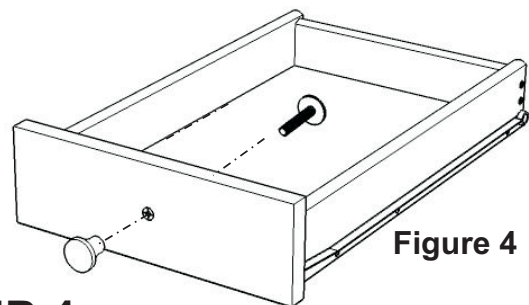


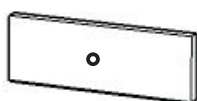
Figure 4

STEP 4

Assemble Pull Handle with machine screws. (see Figure 3)

Tighten all screws used in drawer assembly.

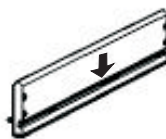
Part List



T1.
Front Part
2 pcs.



T2.
Back Part
2 pcs.



T3.
Side Part
2 pcs.



T4.
Side Part
2 pcs.



T5.
Base Part
2 pcs.

Drawer (U)

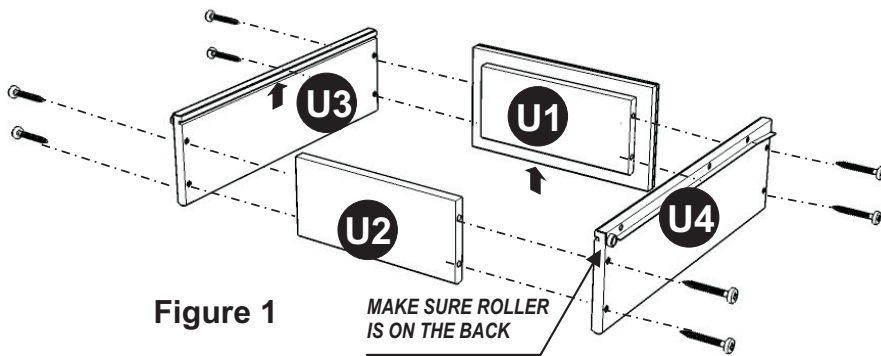
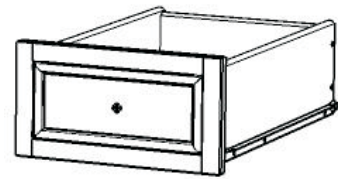


Figure 1



STEP 1

Attach U1 to U3 and U4, using a Phillips screwdriver and long wood screws (4X), tighten halfway.

Attach U2 to U3 and U4 using long wood screws (4X), tighten halfway. (see Figure 1)

STEP 2

Slide U5 into the grooves in U3 and U4. Be sure to push T5 all the way forward so it meets U1. (see Figure 2)

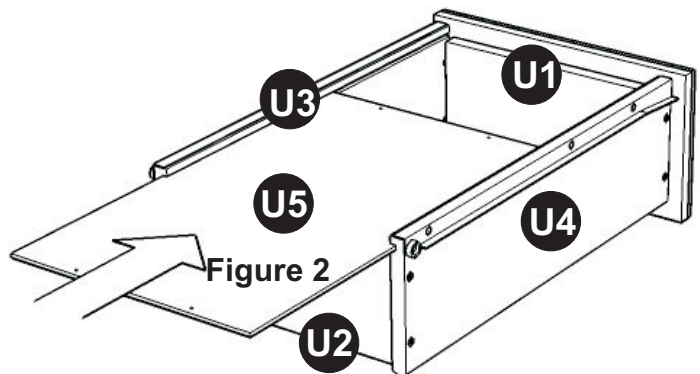


Figure 2

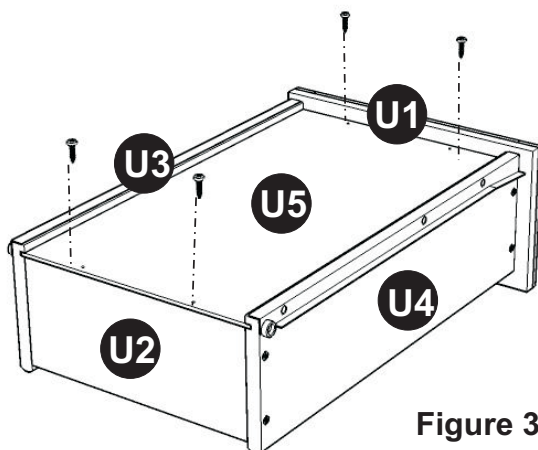


Figure 3

STEP 3

Insert short wood screws (4X) into the pre-drilled holes in U5, tighten screws. (see Figure 3)

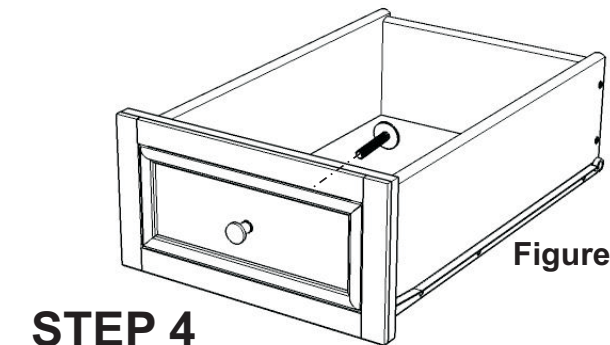


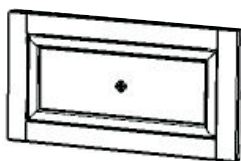
Figure 4

STEP 4

Assemble Pull Handle with machine screws. (see Figure 3)

Tighten all screws used in drawer assembly.

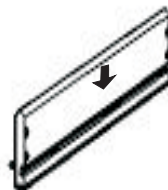
Part List



U1.
Front Part
1 pc.



U2.
Back Part
1 pc.



U3.
Side Part
1 pc.



U4.
Side Part
1 pc.



U5.
Base Part
1 pc.

Drawer (V)

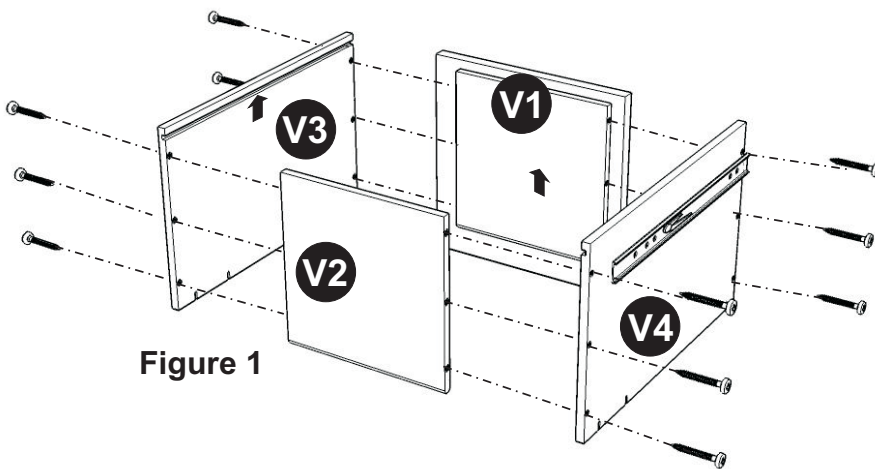
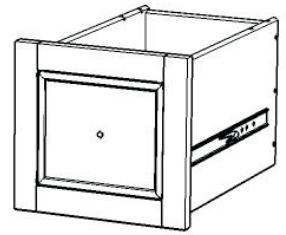


Figure 1

STEP 1

Attach V1 to V3 and V4 using a Phillips screwdriver and long wood screws (6X), tighten halfway.

Attach V2 to V3 and V4 using long wood screws (6X), tighten halfway. (see Figure 1)

STEP 2

Slide V5 into the grooves in V3 and V4. Be sure to push V5 all the way forward so it meets V1. (see Figure 2)

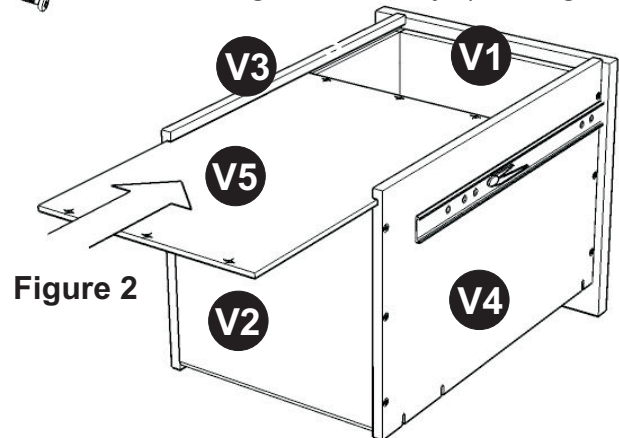


Figure 2

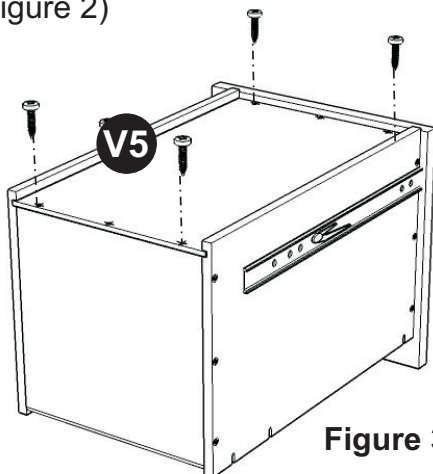


Figure 3

STEP 3

Insert short wood screws (4X) into the pre-drilled holes in V5, tighten screws. (see Figure 3)

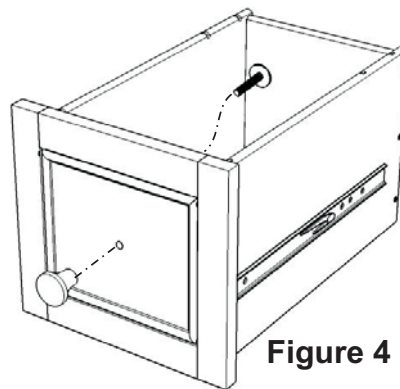


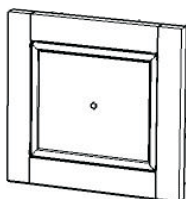
Figure 4

STEP 4

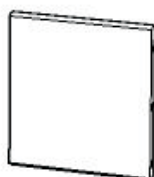
Assemble Pull Handle with machine screw. (see Figure 4)

Tighten all screws used in drawer assembly.

Part List



V1.
Front Part
1 pc.



V2.
Back Part
1 pc.



V3.
Side Part
1 pc.



V4.
Side Part
1 pc.



V5.
Base Part
1 pc.